

see what Delta can do™

## Prelude® TOILET C41901▲

### STANDARD SPECIFICATIONS

- Vitreous China
- 27 1/16" (687mm) in length, 16 13/16"(427mm) in width, 32 15/16" (837mm) in height
- Round front bowl with chair height design 16 1/2" (419 mm) to top of the bowl
- 1 1/2" (305 mm) rough-in
- High efficiency 1.28 gpf (4.8 lpf)
- 3" (76 mm) flush valve
- Smartfit™ Tank-to-Bowl connection with tool for installation
- Includes polished chrome trip lever
- Delta toilet kit includes tank, bowl, toilet seat, mounting hardware, wax ring and SmartFit™ Multi-Tool. No additional tools required.

### WARRANTY

- Chinaware – Lifetime limited warranty; or for commercial purchasers, 10 years for multi-family residential (apartments and condominiums) and 5 years for all other commercial uses, in each case from the date of purchase.
- Mechanical Parts – 1 year from the date of purchase.
- Electronic Parts and Batteries (if applicable) – 5 years from the date of purchase; or for commercial purchasers, 1 year from the date of purchase. No warranty is provided on batteries.
- Toilet Seats – 1 year from the date of purchase. For commercial purchasers no warranty is given.



### COMPLIES WITH

- ADA
- ASME A112.19.2 / CSA B45.1
- ASME A112.19.5
- ICC / ANSI A117.1
- EPA WaterSense® High Efficiency Toilet
- CalGreen

Technical Information	
Fixture configuration	Two-piece, round bowl
Water per flush	1.28 gpf (4.8 lpf)
Passageway	2" (51 mm)
Water area	8 31/32" x 6 21/32" (228 mm x 169 mm)
Seat post hole centers	5 1/2" (140 mm)
Included Components:	
Tank	RP71179▲
Tank Cover	RP71180▲
Trip Lever	RP71165▲
Mounting Hardware - Bowl to Floor	RP100491
Mounting Hardware - Tank to Bowl	RP100493
Seat Assembly	RP92085▲

### Installation Notes

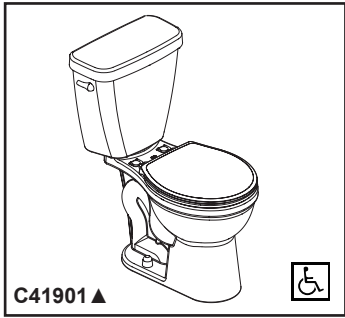
- Install this product according to the installation guide.
- This model complies with the American Disabilities Act (ADA) when installed per the requirements of the Accessibility Guidelines, Section 604 Water Closets, of the Act, which includes the installation of an open front seat (not included).
- This model complies with CSA B651 when installed per Clause 4.3.6 of the standard.

▲ Designate proper finish suffix (-WH for white)

DSP-S-C41901 Rev. G

### Delta Faucet Company

55 E 111<sup>th</sup> Street, Indianapolis, Indiana 46280  
350 South Edgeware Road, St. Thomas, ON N5P 4L1  
© 2019 Delta Faucet Company



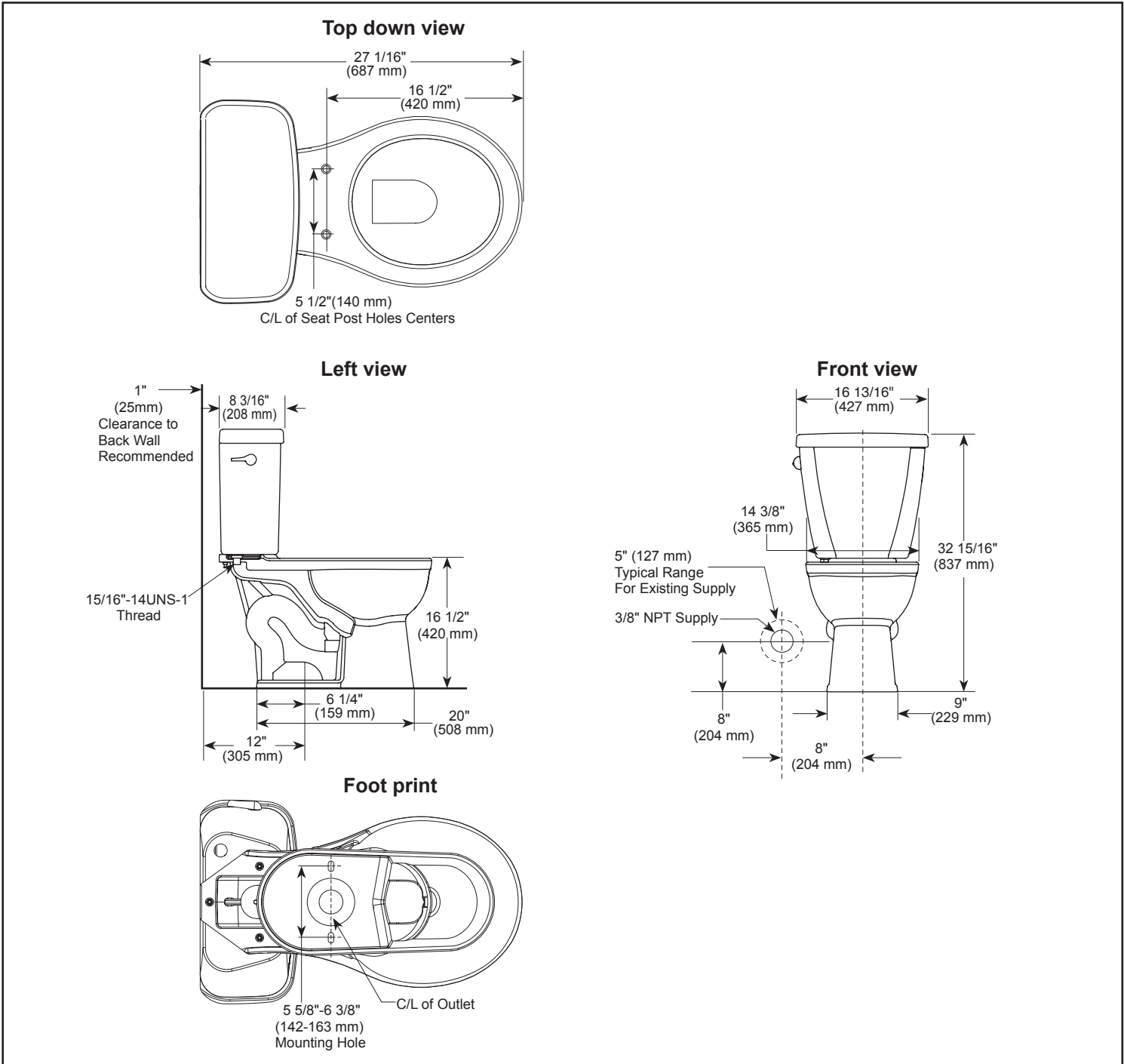
see what Delta can do™

# Prelude® TOILET C41901▲

■ Round Bowl

Submitted Model No.: \_\_\_\_\_

Specific Features: \_\_\_\_\_



▲ Designate proper finish suffix (-WH for white)

Delta reserves the right (1) to make changes in specifications and materials, and (2) to change or discontinue models, both without notice or obligation. Dimensions are for reference only. See full-line pricebook or [www.deltatoilet.com](http://www.deltatoilet.com) for finish options and product availability.