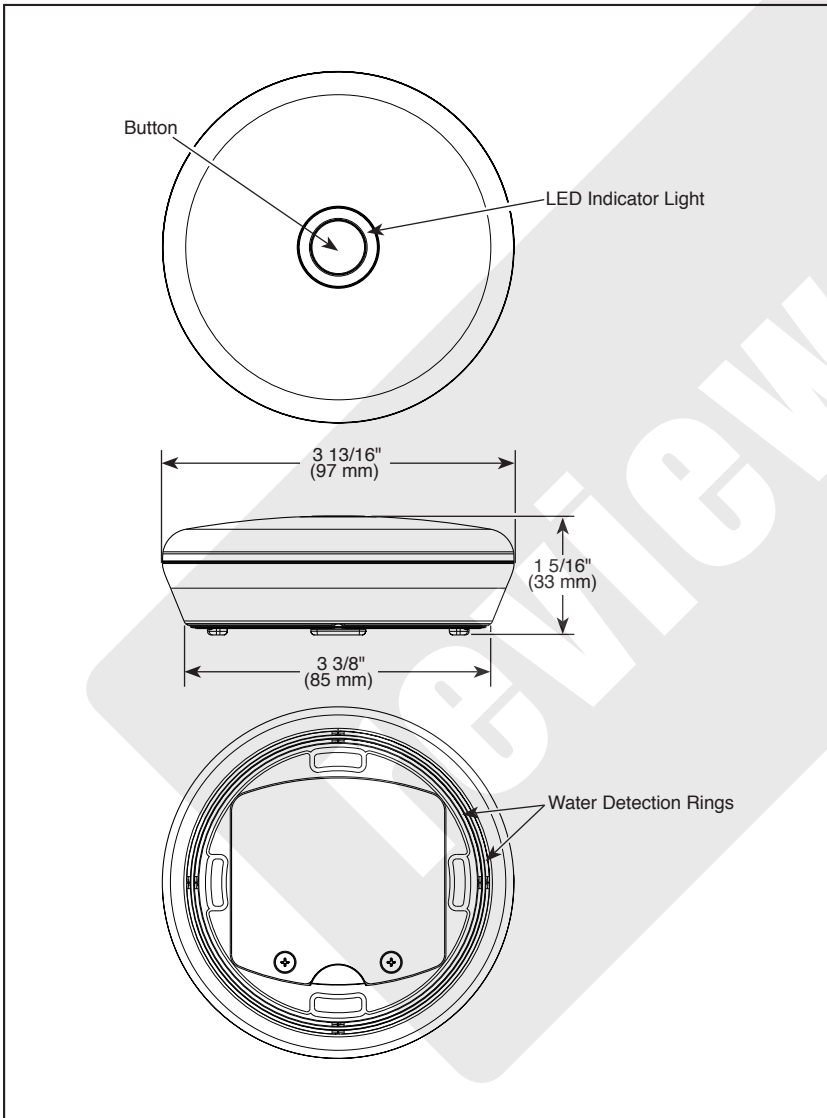


Submitted Model No.: _____

Specific Features: _____



see what Delta can do™

WI-FI LEAK DETECTOR

STANDARD SPECIFICATIONS:

- Detects water pooling beneath or dripping on top of the detector.
- No hub required.
- Audible alarm provides additional notification to alerts.
- Uses 3 AAA (included) batteries. 2-year battery life in normal monitoring use.
- Delta Leak Detect App required for set-up and operation. App is available in the iOS app store and Google Play store.
- Compatible with most iOS and Android devices.
- Wi-Fi 2.4 GHz 802.11 b/g/n compatible. This product is NOT compatible with 5GHz networks.
- Wi-Fi network security WPA or WPA-2-PSK (AES) compatible. This product is NOT compatible with WEP networks.
- For indoor use only.
- Screwdriver (not included) required to remove battery door. No additional tools required for installation and operation.
- LEAKX1 includes one leak detector.
- LEAKX3 includes three leak detectors.
- The Delta Leak Detector is compliant with Bluetooth SIG, FCC Part 15 RF, RoHS, Wi-Fi Alliance.

LED STATUS:

LED	Detector State
Flashing Blue	During Setup: Bluetooth pairing mode During Operation: Leak Detector has detected a leak
Solid Blue	Leak Detector has finished connecting to Wi-Fi
Flashing Green	Leak Detector is recording a status update. During normal operation, the Leak Detector will send a status update to the user's app every 8 hours. This will also occur during an alert and after an alert has been cleared
White Single Flash	Leak Detector has power, Wi-Fi connection, and is operating normally
Solid Red	Leak Detector is in reset mode. Once the LED turns red, the user should release the button. The Leak Detector will reset and will need to be added to the app again

WARRANTY

- 2 year limited warranty