

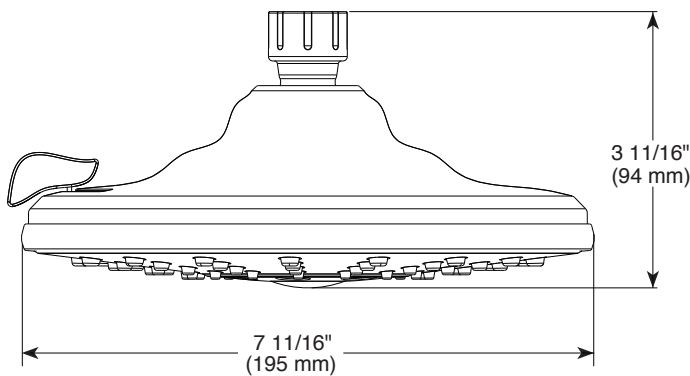
75356 ▲

Submitted Model No.: _____

Specific Features: _____

75356 ▲ 2.0 GPM

-  H2OkinetiC™
Spray
-  Full Spray
-  Pause



SHOWERHEAD

- 3-Spray setting
- H2OkinetiC® Technology showerhead
- Touch-Clean® nozzles

STANDARD SPECIFICATIONS:

- Standard 1/2" pipe fitting.
- Easy-turn spray dial.
- 2.00 gpm @ 80 psi (7.6 L/min @ 552 kPa).

WARRANTY

- Lifetime limited warranty on parts (other than electronic parts and batteries) and finishes; or for commercial users, for 5 years from the date of purchase.
- 5 year limited warranty on electronic parts (other than batteries); or for commercial users, for 1 year from the date of purchase. No warranty is provided on batteries.



COMPLIES WITH

- ASME A112.18.1/CSA B125.1

▲ Designate proper finish suffix

Delta reserves the right (1) to make changes in specifications and materials, and (2) to change or discontinue models, both without notice or obligation. Dimensions are for reference only. See current full-line price book or www.deltafaucet.com for finish options and product availability.

DSP-B-75356 Rev. B



55 E. 111th Street, Indianapolis, Indiana 46280
350 South Edgeware Road, St. Thomas, Ontario Canada N5P 4L1
© 2015 Masco Corporation of Indiana