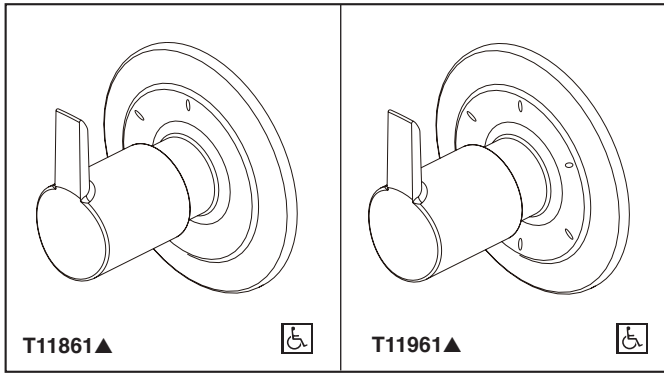




see what Delta can do™

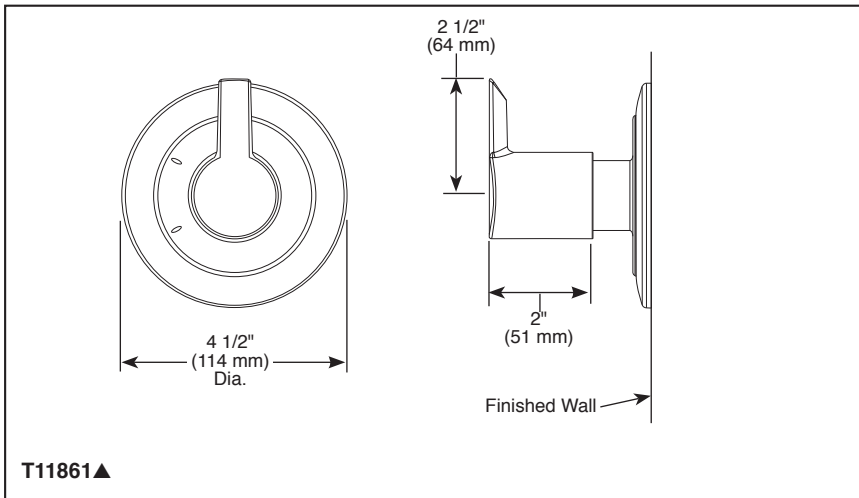
CUSTOM SHOWER DIVERTER

- Compel® Collection
- Three Function Diverter Trim (T11861)
- Six Function Diverter Trim (T11961)
- Coordinates With The Delta Compel® Styled Bath Suites

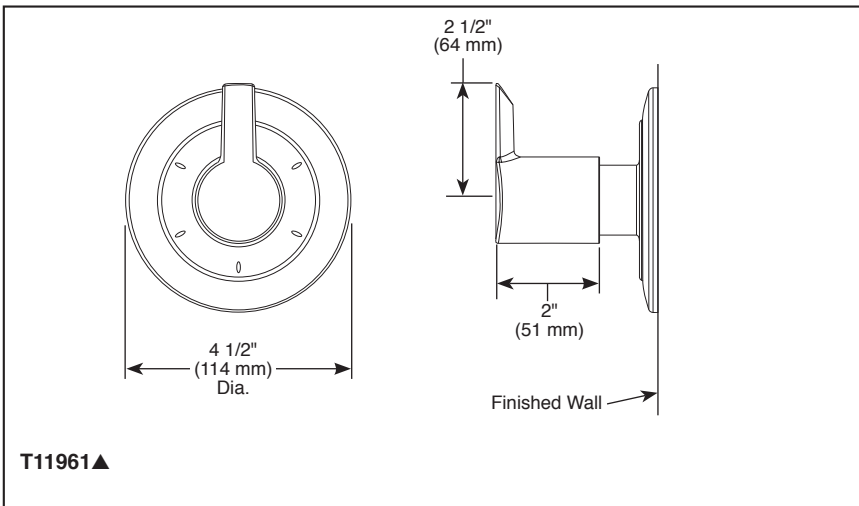


Submitted Model No.: _____

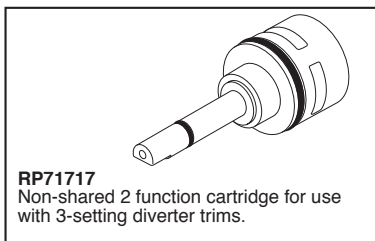
Specific Features: _____



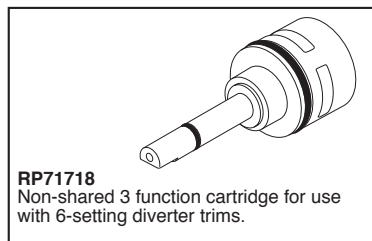
T11861▲



T11961▲



RP71717
Non-shared 2 function cartridge for use with 3-setting diverter trims.



RP71718
Non-shared 3 function cartridge for use with 6-setting diverter trims.

STANDARD SPECIFICATIONS

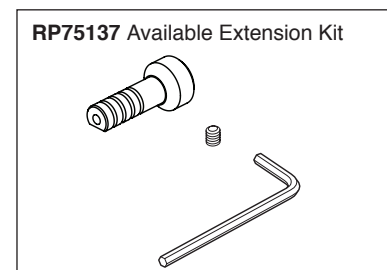
- Three function diverter. 2 individual positions, 1 shared position.
- Six function diverter. 3 individual positions, 3 shared positions.
- Must also order R11000 rough-in.
- Two individual positions, no shared positions, order cartridge RP71717.
- Three individual positions, no shared positions, order cartridge RP71718.
- Installation extension kit order RP75137, adds 1" to maximum installation thickness.

WARRANTY

- Lifetime limited warranty on parts (other than electronic parts and batteries) and finishes: or, for commercial users, for 5 years from date of purchase.
- 5 year limited warranty on electronic parts (other than batteries); or, for commercial users, for 1 year from the date of purchase. No warranty is provided on batteries.

COMPLIES WITH:

- ASME A112.18.1 / CSA B125.1
- ☑ Indicates compliance to ICC/ANSI A117.1



RP75137 Available Extension Kit

▲ Designate proper finish suffix

Delta reserves the right (1) to make changes in specifications and materials, and (2) to change or discontinue models, both without notice or obligation. Dimensions are for reference only. See current full-line price book or www.deltafaucet.com for finish options and product availability.

DSP-B-T11861 Rev. D

Delta Faucet Company

55 E. 111th Street, Indianapolis, IN 46280
350 South Edgeware Road, St. Thomas, ON N5P 4L1
© 2018 Delta Faucet Company