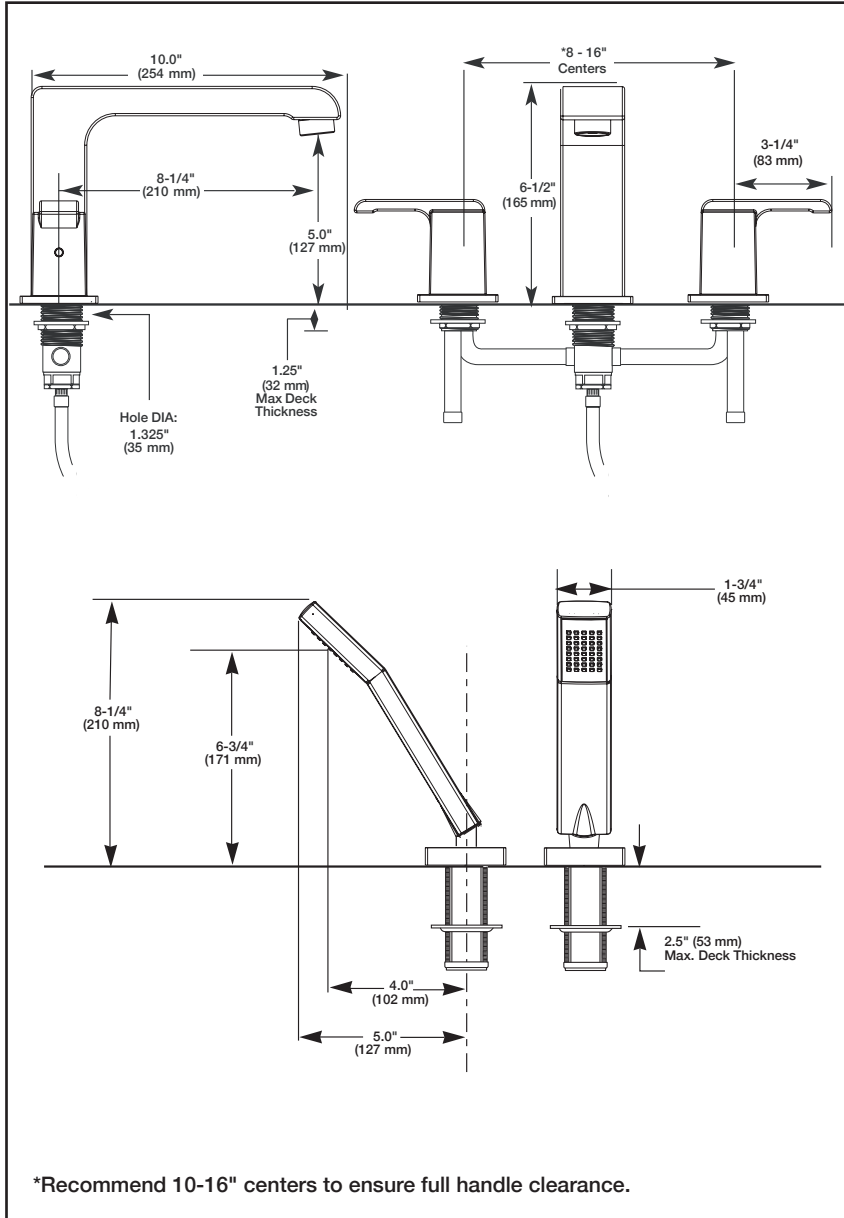


Submitted Model No.: \_\_\_\_\_

Specific Features: \_\_\_\_\_



# ROMAN TUB/WHIRLPOOL FAUCET TRIM

- Arzo® Collection
- 3-Hole Installation (T2786)
- 4-Hole Installation (T4786)
- Flexible Deck or Ledge Mount

## STANDARD SPECIFICATIONS:

- Washerless
- Handshower flow rate: 2.00 gpm @ 60 psi, 7.60 L/min @ 414 kPa
- Solid brass spout body
- Control mechanism shall be of the rotating cylinder type with stainless steel plate and 180° rotation, with stainless steel sockets.
- Hot and cold stems are interchangeable
- Temperature and volume controlled with handles
- All operating parts shall be replaceable from the top
- Rough-In kit must also be ordered to complete installation. (R4707 series for 4-hole, R2707 series for 3-hole or RP23611). There are separate specification sheets on each rough-in kit if more details are required.

## WARRANTY

- Lifetime limited warranty on parts (other than electronic parts and batteries) and finishes; or, for commercial users, for 5 years from date of purchase.
- 5 year limited warranty on electronic parts (other than batteries); or, for commercial users, for 1 year from the date of purchase. No warranty is provided on batteries.

## COMPLIES WITH:

- ASME A112.18.1 / CSA B125.1
- Indicates compliance to ICC/ANSI A117.1 - Valve control only
- EPA WaterSense® - Applies to handshower only - RP48296\*



Delta reserves the right (1) to make changes in specifications and materials, and (2) to change or discontinue models, both without notice or obligation. Dimensions are for reference only. See current full-line price book or [www.deltafaucet.com](http://www.deltafaucet.com) for finish options and product availability.

DSP-B-T2786 Rev. D

55 E. 111th Street, Indianapolis, Indiana 46280  
350 South Edgeware Road, St. Thomas, ON N5P 4L1  
© 2016 Masco Corporation of Indiana