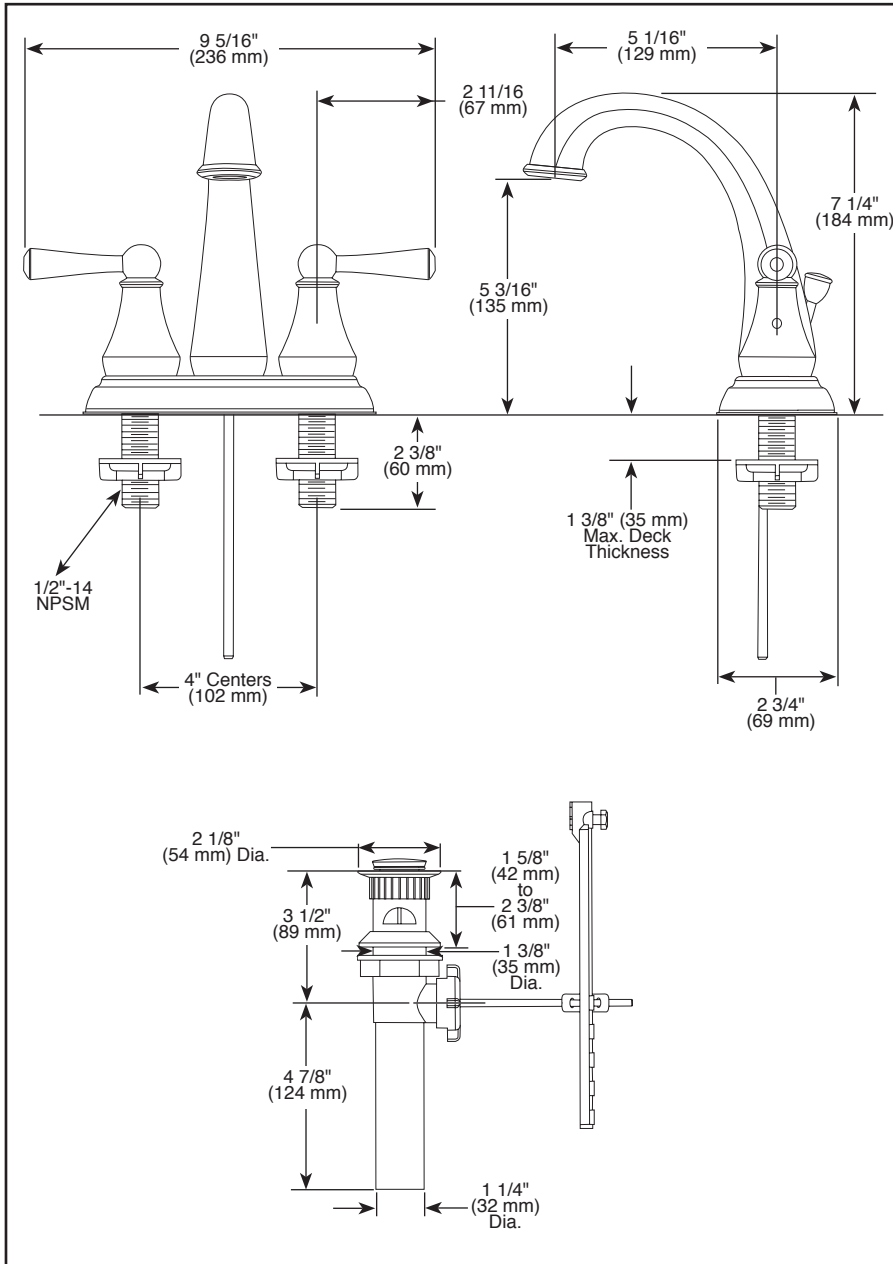


Submitted Model No.: _____

Specific Features: _____



▲ Designate Proper Finish Suffix



LAVATORY FAUCETS

- Lewiston® Series
- Two Handle Deck Mount
- 3 Hole Sink Applications
- 4" Centerset

STANDARD SPECIFICATIONS:


- Solid brass fabricated body.
- 4" (102 mm) centerset.
- 5 1/16" (129 mm) long, 7 1/4" (184 mm) high rigid spout.
- Hot and cold stems are interchangeable.
- 1/4 turn handle stops.
- Control mechanism is a rotating cylinder with stainless steel plate and 90° rotation, with replaceable non-metallic seats operating in stainless steel lined sockets.
- 1/2"-14 NPSM threaded male inlet shanks.
- Max. 1.50 gpm @ 60 psi, 5.7 L/min @ 414 kPa

WARRANTY

- Lifetime limited warranty on parts (other than electronic parts and batteries) and finishes: or, for commercial users, for 5 years from date of purchase.
- 5 year limited warranty on electronic parts (other than batteries); or, for commercial users, for 1 year from the date of purchase. No warranty is provided on batteries.



COMPLIES WITH:

- ASME A112.18.1 / CSA B125.1
- ASME A112.18.2 / CSA B125.2
-  Indicates compliance to ICC/ANSI A117.1
- EPA Water Sense®
- LF model verified to <0.25% Pb average wetted surface regulations.



55 E. 111th Street, Indianapolis, Indiana 46280
 350 South Edgeware Road, St. Thomas, ON N5P 4L1
 © 2015 Masco Corporation of Indiana

Delta reserves the right (1) to make changes in specifications and materials, and (2) to change or discontinue models, both without notice or obligation. Dimensions are for reference only. See current full-line price book or www.deltafaucet.com for finish options and product availability.

DSP-L-25901 Rev. C